



IDeROBOT® Automatic Embossing Unit



Automatic embossing of up to 8 different types of plates with only one machine

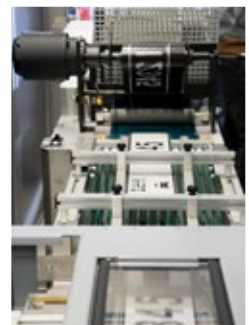
The IDeROBOT® embosses both long and short license plates and up to 8 different types. Its simple and cost-efficient modification to different license plate sizes characterises the IDeROBOT®. With its combination of efficiency and flexibility, this machine extends the possibilities of automatic production of license plates. Through a full control over the production, misuse of plates will be avoided, and wastage is significantly reduced. The IDeROBOT® is equipped with a picker robot and a tool magazine for a maximum of 806 characters. The picker robot is available in three different sizes, which equips the inlay tray with the correct blank plate and selects the characters to be embossed. Currently the IDeROBOT® is the most flexible and cost-efficient solution for license plate embossing.

Advantages

- | | |
|--|-----------------------------------|
| ▪ Embossing of different license plate sizes with one machine | ▪ Fast exchange of embossing dies |
| ▪ Network Connectivity | ▪ Easy handling |
| ▪ Expandability for RFID and optical detection of Plate-ID | ▪ Simple maintenance |
| ▪ Integration in semi and fully automated production processes | ▪ Space-saving and compact |

Technical Data

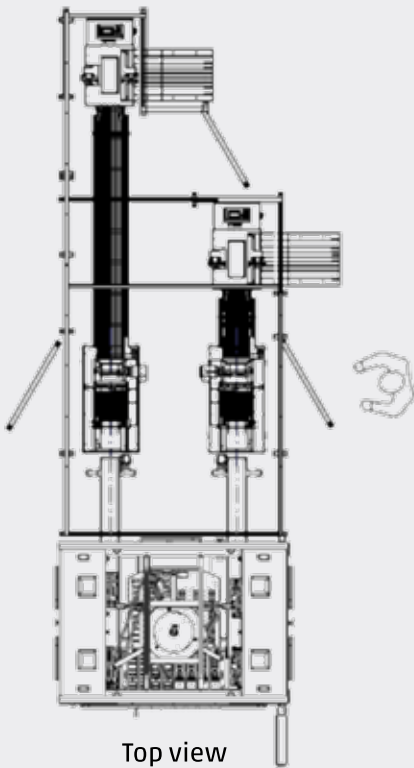
Number of magazine for blanks:	up to 8 per robot
Maximum stack height for blanks:	max. 200 mm
Electricity:	3 x 400 V, 50HZ 32A
Number of embossing tools:	up to 806 (depending on tool type and character size)
Production capacity:	up to 750 license plates per hour (in serial production)
Dimensions (LxWxH):	2500 x 1750 x 2930 mm (without Hot Stamping and Stacking Devices)



IDeROBOT® Automatic Embossing Unit



Components	Options
<ul style="list-style-type: none"> ▪ Operator Panel ▪ Blank Magazine ▪ Embossing Character Magazine ▪ Pneumatic Infeed / High Speed Embossing Press ▪ Picker Cell 	<ul style="list-style-type: none"> ▪ Hot Stamping Unit ▪ Automatic Stacking Unit (optional) ▪ Digital Maintenance Support ▪ Clapperdie or suitcase embossment possible



The IDeROBOT® includes two hi-speed hydraulic embossing presses and the embossing characters, which are customised to customers' requirements and specifications.

The Presses have a pneumatically driven infeed. This infeed is equipped with pneumatic and servo driven cylinders for an accurate position of the license plates and embossing characters to handle different plate dimensions. Following the automatic embossing process, a conveyor is transporting the embossed blanks into the hot stamping device. Optionally an automatic stacking device can be added.

